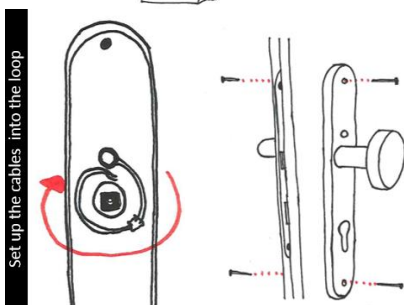
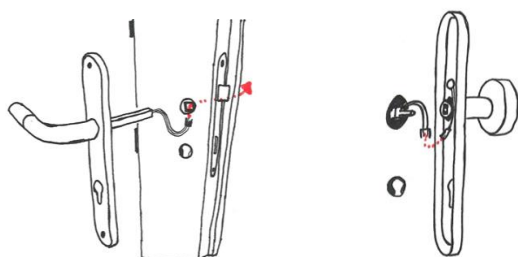


INSTALLATION



Set up the cables into the loop

Important: Secure enough space for the wires and check the sharp edges on the ball side of the door.



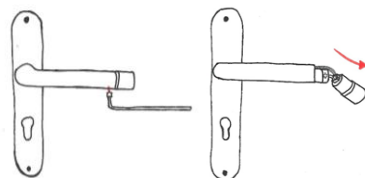
Grind the door circular opening eventually.

To clean the device use a soft, dry cloth. Do not use any chemical cleaners.

The manufacturer recommends throughout the product lifecycle to do a regular check that all screws are tightened. These include screws securing the prism going through the door.

INSTRUCTIONS FOR THE BATTERY REPLACEMENT

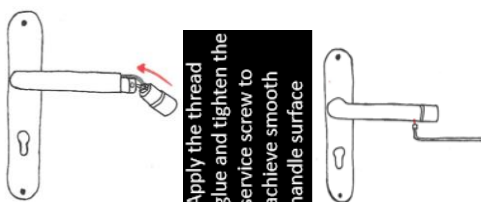
If the device constantly flashes every 1 second, replace the battery.



Using a wrench, unscrew the locking screw of the handle blanking and pull the blanking.

Replace your old battery.

Only recommended battery type is Varta ER 1/2AA WC / WCs (3.6V / 1200mAh) - Ordering at handLED.EU.



Apply the thread glue and tighten the service screw to achieve smooth handle surface

Notice:

Use of this device can cause epileptic seizures in people who are prone to do so.

The equipment is under warranty for 12 months.

The device is intended for indoor use.

All other uses are prohibited.

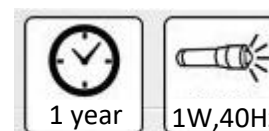
For claims, please download the claiming conditions at warninghandle.com

No warranty can be applied if the device:

- experienced severe shock,
- experienced an excessive force during use (over 200N)
- was not installed according to the installation procedure
- or used differently than normal and intended



PUR



1 year

1W,40Hz

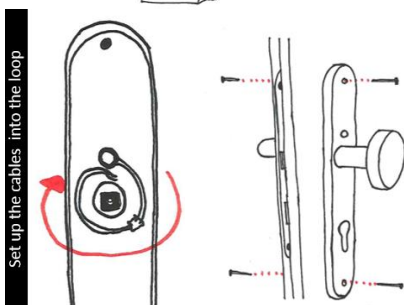
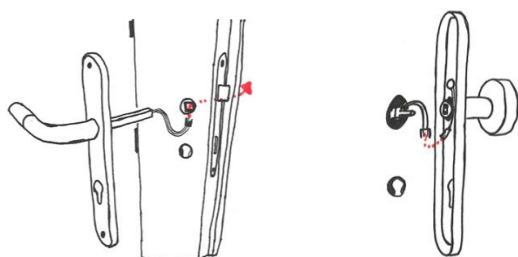


Producer:

KOM support s.r.o., IČO 28349911,
Vyškov, Brněnská 8, PSČ 682 01

Components manufactured in the Czech Republic and China

INSTALLATION



Important: Secure enough space for the wires and check the sharp edges on the ball side of the door.



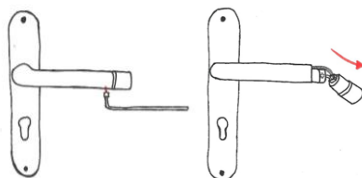
Grind the door circular opening eventually.

To clean the device use a soft, dry cloth. Do not use any chemical cleaners.

The manufacturer recommends throughout the product lifecycle to do a regular check that all screws are tightened. These include screws securing the prism going through the door.

INSTRUCTIONS FOR THE BATTERY REPLACEMENT

If the device constantly flashes every 1 second, replace the battery.



Using a wrench, unscrew the locking screw of the handle blanking and pull the blanking.

Replace your old battery.

Only recommended battery type is Varta ER 1/2AA WC / WCs (3.6V / 1200mAh) - Ordering at handLED.EU.



Notice:

Use of this device can cause epileptic seizures in people who are prone to do so.

The equipment is under warranty for 12 months.

The device is intended for indoor use.

All other uses are prohibited.

For claims, please download the claiming conditions at warninghandle.com

No warranty can be applied if the device:

- experienced severe shock,
- experienced an excessive force during use (over 200N)
- was not installed according to the installation procedure
- or used differently than normal and intended



PUR



1 year

1W,40Hz



Producer:

KOM support s.r.o., IČO 28349911,
Vyškov, Brněnská 8, PSČ 682 01

Components manufactured in the Czech Republic and China

Thanks, that you
care

warninghandle.com team

ENG- stainless steel interior
door handle with integrated
safety warning device. Light
source: 1W LED, power
1x1/2AA (3,6V)



Thanks, that you
care

warninghandle.com team

ENG- stainless steel interior
door handle with integrated
safety warning device. Light
source: 1W LED, power
1x1/2AA (3,6V)

